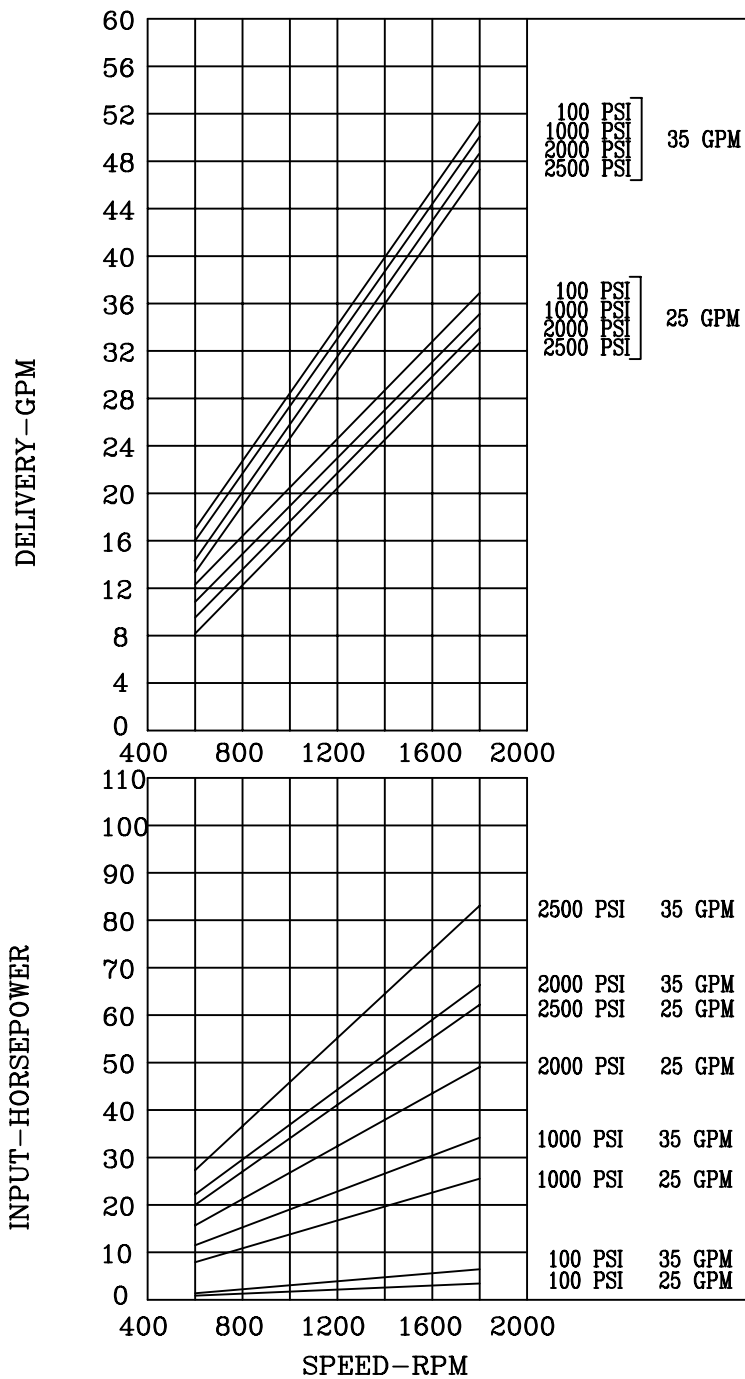


PERFORMANCE CURVES

Ring Size 25 & 35 GPM
35 **V Double Pump - Shaft End

Performance Consitants
SAE 10W Fluid at 120°F.
Pump Inlet at 0" hg.

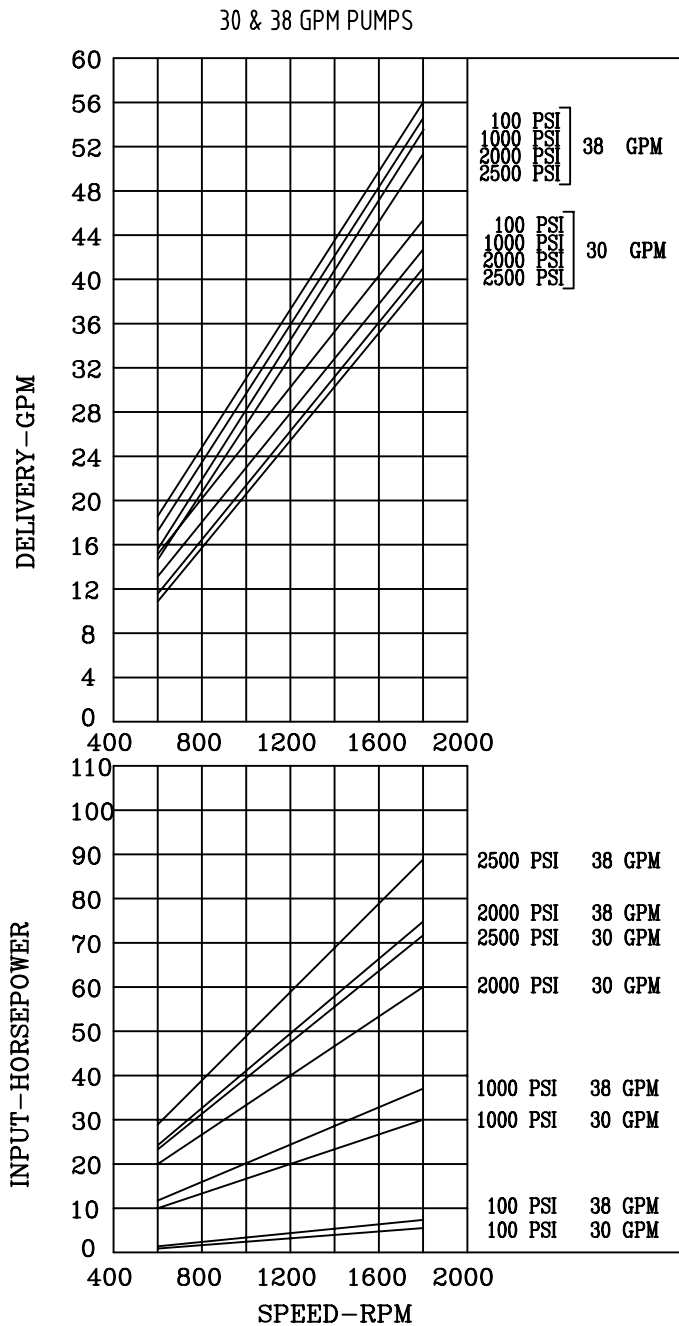
25 & 35 GPM PUMPS



PERFORMANCE CURVES

Ring Size 30 & 38 GPM 35 **V Double Pump - Shaft End

Performance Consistants
SAE 10W Fluid at 120°F.
Pump Inlet at 0" hg.

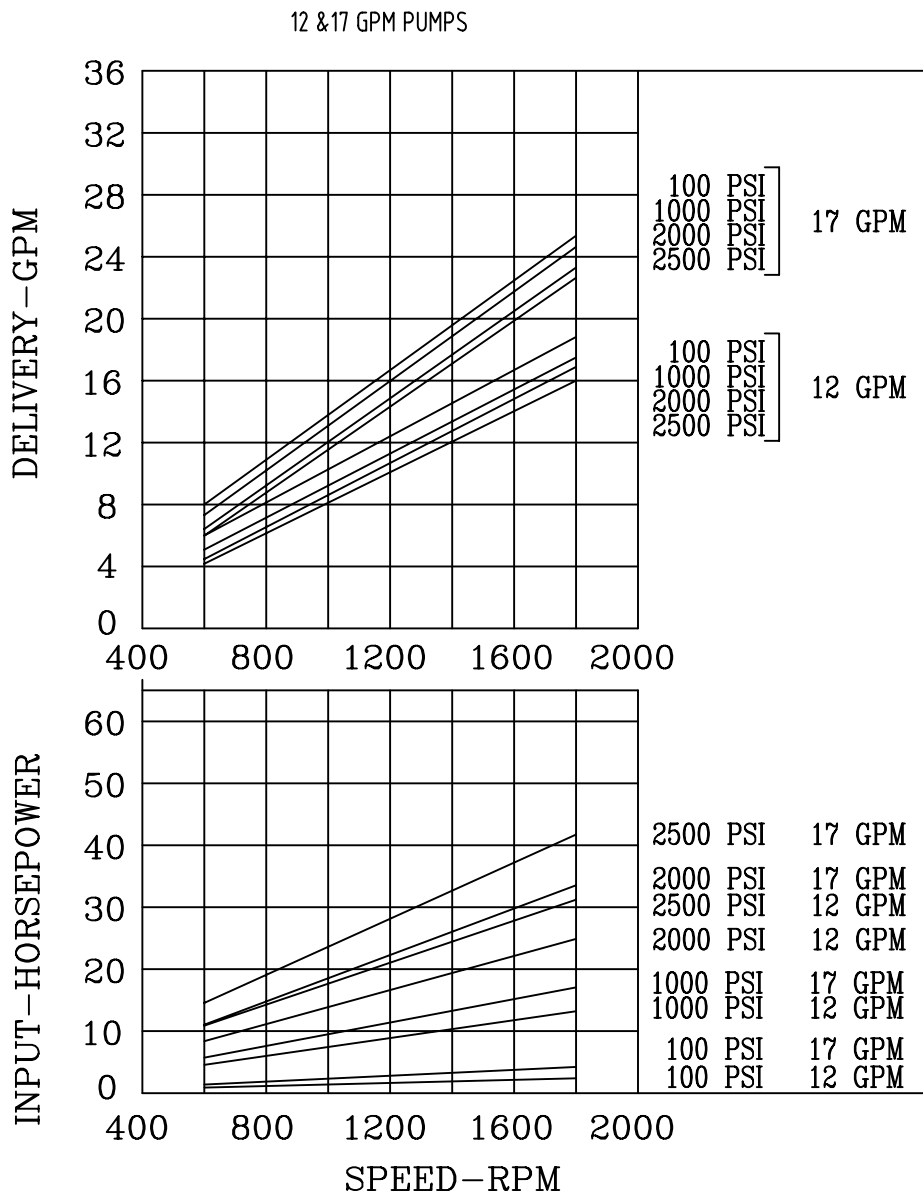


PERFORMANCE CURVES

Ring Size - 12 & 17 GPM

** 25 V Double Pump - Cover End

Performance Constants
 SAE 10W Fluid at 120°F.
 Pump Inlet at 0" hg.

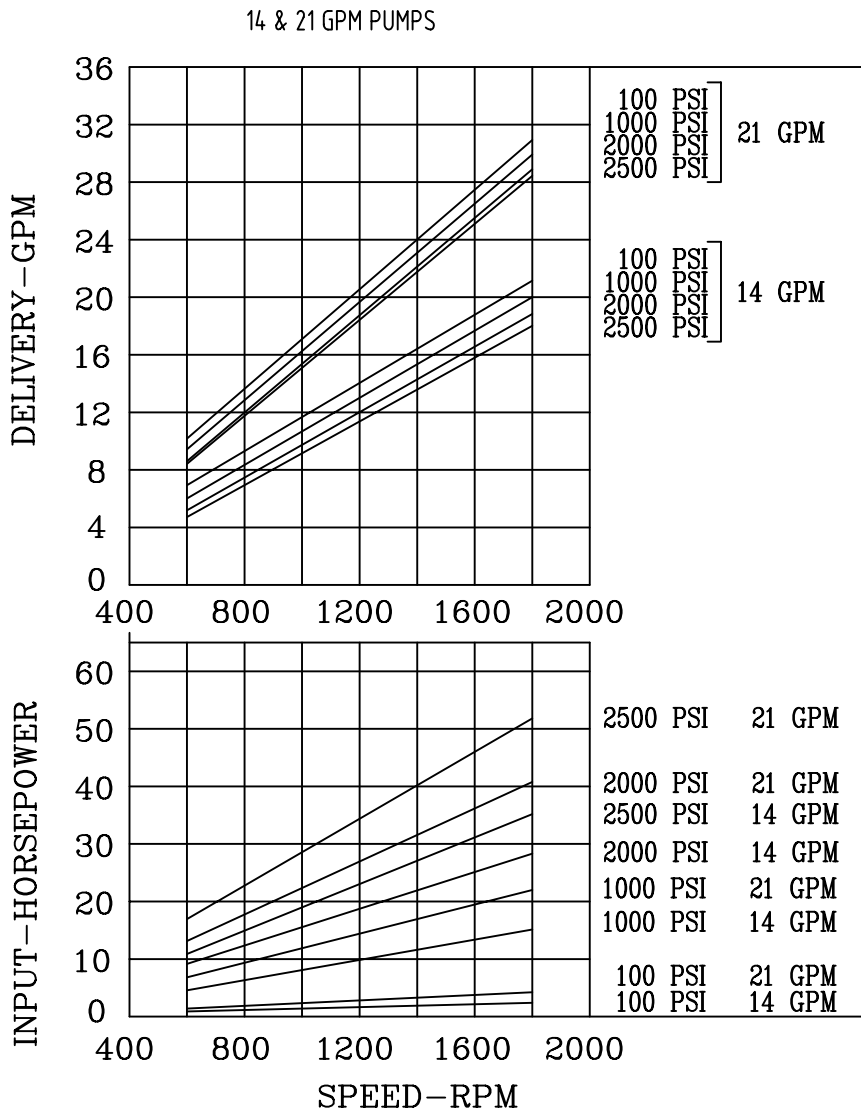


PERFORMANCE CURVES

Ring Size - 14 & 21 GPM

** 25 V Double Pump - Cover End

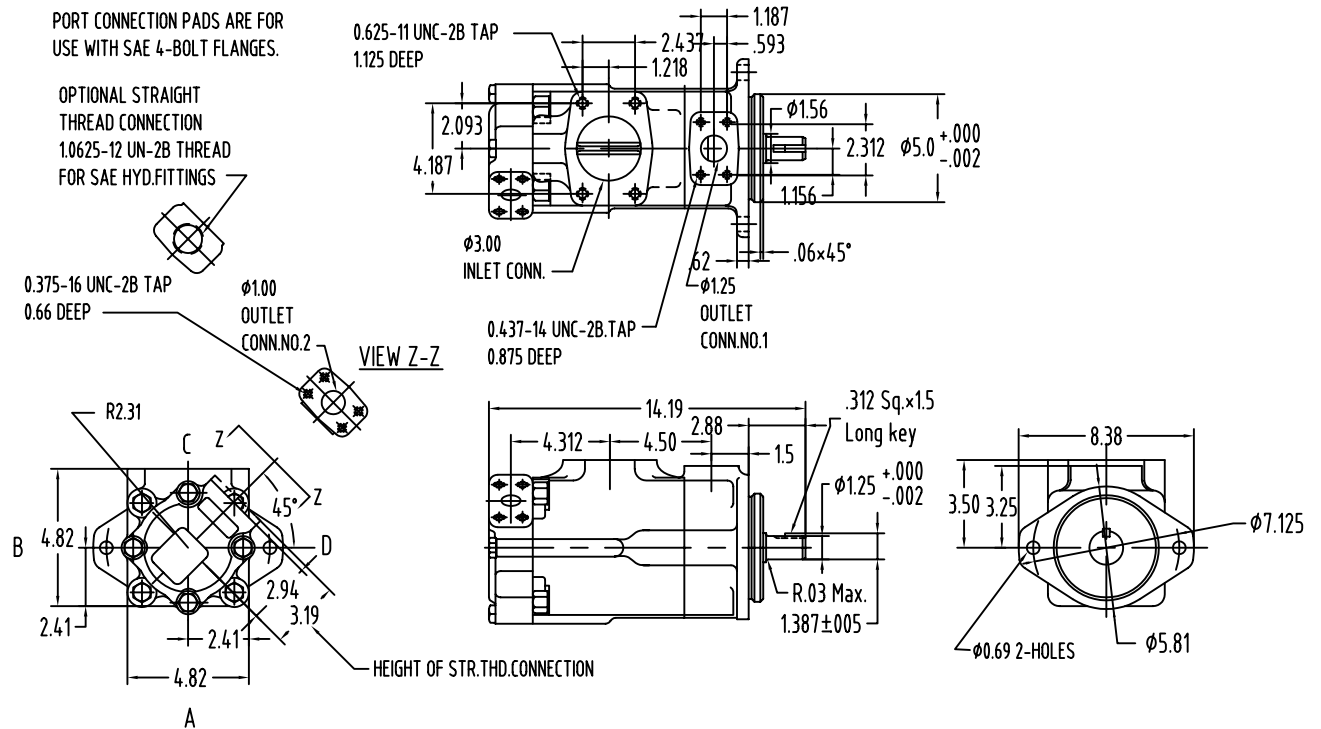
Performance Constants
SAE 10W Fluid at 120°F.
Pump Inlet at 0" hg.



INSTALLATION DIMENSIONS

3525V Double Pump

Dimensions in inches



Code	Shaft Type
1	3/16 Straight Key
11	14T 12/24 Spline
86	HD Straight Key Shaft

Involute Spilne
 12/24 Diametral Pithch
 Flat Root-Major Dia. Fit
 14 Teeth-30° Pressure Angele
 1.0822 t.I.F. Dia.
 1.1667 Pitch Dia.
 1.4054 $^{+0.002}_0$ Over .160 Dia. pins

Code1 3/16 Straight Key

Code11 13T 16/32 Spline Key

Code86 HD straight Key

