

**MODEL CODE**

**V Series Double Pump**

**(F3) - 2520 V 21 (A) 12 (F) - 11 AA 20 (L)**

F3 - VITON SEALS

OMIT - STAND BUNA N

**PUMP SERIES DESIGNATION**

2520 3525 4525  
3520 4520 4535

V SERIES VANE PUMP

**(US)GPM CAPACITY-SHAFT END PUMP**

(SAE RATING 1200 RPM-100PSI)

| 25xxV | 35xxV | 45xxV |
|-------|-------|-------|
| 12    | 25    | 42    |
| 14    | 30    | 50    |
| 17    | 35    | 60    |
| 21    | 38    |       |

**PORT CONNECTIONS**

A -SAE 4-Bolt. (Inch Thread port connection)

M -SAE 4-Bolt. (Metric port connection)

**(US)GPM CAPACITY-COVER END PUMP**

(SAE RATING 1200 RPM-100 PSI),US gpm

| xx20V | xx25V | xx35V |
|-------|-------|-------|
| 5     | 12    | 25    |
| 8     | 14    | 30    |
| 11    | 17    | 35    |
| 12    | 21    | 38    |

**Mounting**

OMIT - Flange Mounting

F - Foot Mounting

**ROTATION**

(VIEWED FROM SHAFT END)

L - LEFT HAND.

OMIT - FOR RIGHT HAND.

**DESIGN NUMBER**

**OUTLET POSITIONS**

(VIEWED FROM COVER END OF PUMP)  
ALL SERIES EXCEPT 2525V & 4535V

**WITH NO.1 OUTLET OPPOSITE INLET**

AA-NO.2 OUTLET 135° CCW FROM INLET

AB-NO.2 OUTLET 45° CCW FROM INLET

AC-NO.2 OUTLET 45° CW FROM INLET

AD-NO.2 OUTLET 135° CW FROM INLET

**WITH NO.1 OUTLET 90° CCW FROM INLET**

BA-NO.2 OUTLET 135° CCW FROM INLET

BB-NO.2 OUTLET 45° CCW FROM INLET

BC-NO.2 OUTLET 45° CW FROM INLET

BD-NO.2 OUTLET 135° CW FROM INLET

**WITH NO.1 OUTLET INLINE WITH INLET**

CA-NO.2 OUTLET 135° CCW FROM INLET

CB-NO.2 OUTLET 45° CCW FROM INLET

CC-NO.2 OUTLET 45° CW FROM INLET

CD-NO.2 OUTLET 135° CW FROM INLET

**WITH NO.1 OUTLET 90° CW FROM INLET**

DA-NO.2 OUTLET 135° CCW FROM INLET

DB-NO.2 OUTLET 45° CCW FROM INLET

DC-NO.2 OUTLET 45° CW FROM INLET

DD-NO.2 OUTLET 135° CW FROM INLET

**SERIES 2525V & 4535 V**

**WITH NO.1 OUTLET OPPOSITE INLET**

AA-NO.2 OUTLET OPPOSITE INLET

AB-NO.2 OUTLET 90° CCW FROM INLET

AC-NO.2 OUTLET INLINE WITH INLET

AD-NO.2 OUTLET 90° CW FROM INLET

**WITH NO.1 OUTLET 90° CCW FROM INLET**

BA-NO.2 OUTLET OPPOSITE INLET

BB-NO.2 OUTLET 90° CCW FROM INLET

BC-NO.2 OUTLET INLINE WITH INLET

BD-NO.2 OUTLET 90° CW FROM INLET

**WITH NO.1 OUTLET INLINE WITH INLET**

CA-NO.2 OUTLET OPPOSITE INLET

CB-NO.2 OUTLET 90° CCW FROM INLET

CC-NO.2 OUTLET INLINE WITH INLET

CD-NO.2 OUTLET 90° CW FROM INLET

**WITH NO.1 OUTLET 90° CW FROM INLET**

DA-NO.2 OUTLET OPPOSITE INLET

**DB-NO.2 OUTLET** 90° CCW FROM INLET

DC-NO.2 OUTLET INLINE WITH INLET

DD-NO.2 OUTLET 90° CW FROM INLET

**Shafts**

1 -Straight key

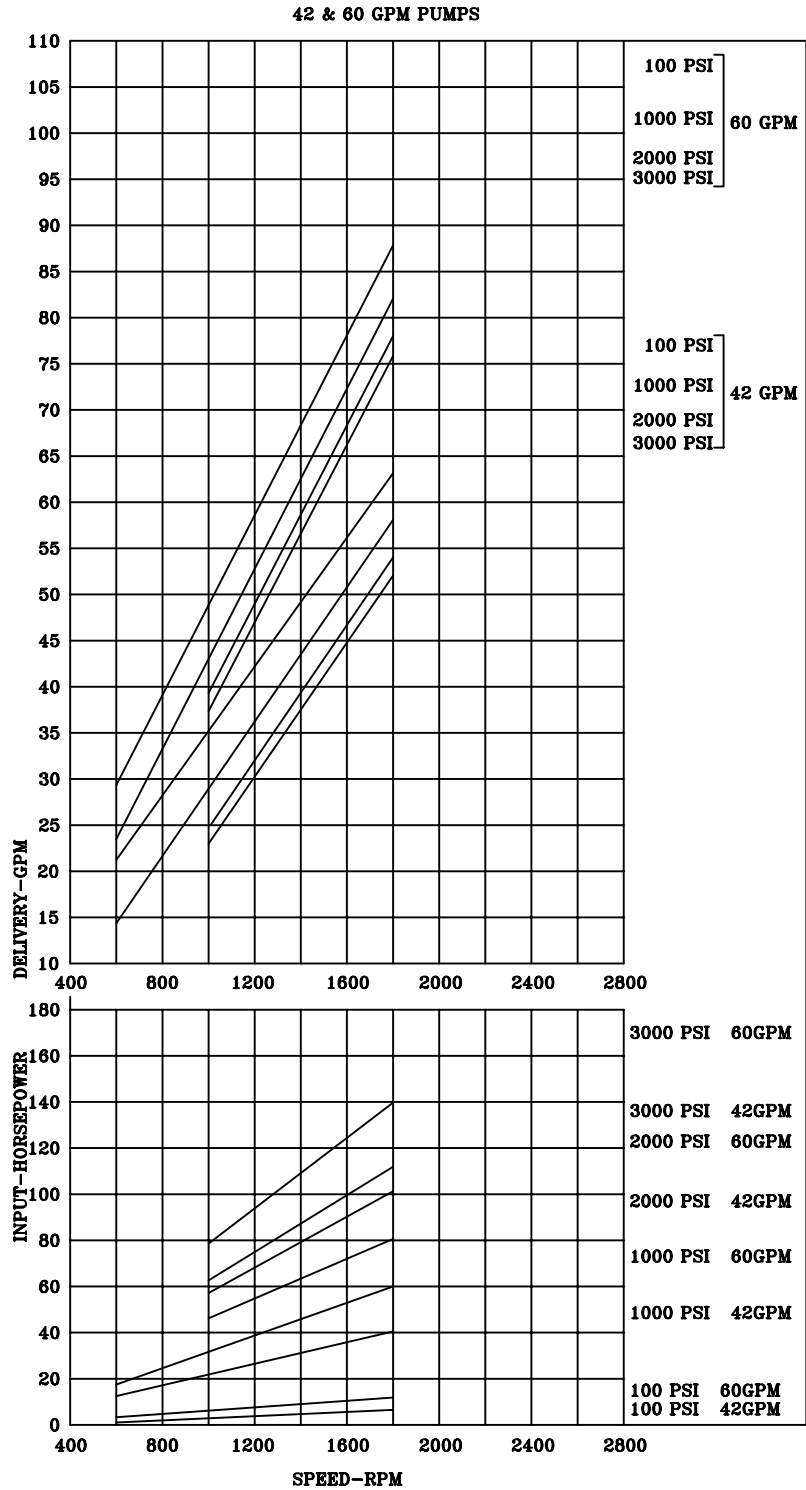
11- Spline Key

86-H.D. Straight key

**PERFORMANCE CURVES**

Ring Size - 42 & 60 GPM  
45V \*\* Double Pump - Shaft End

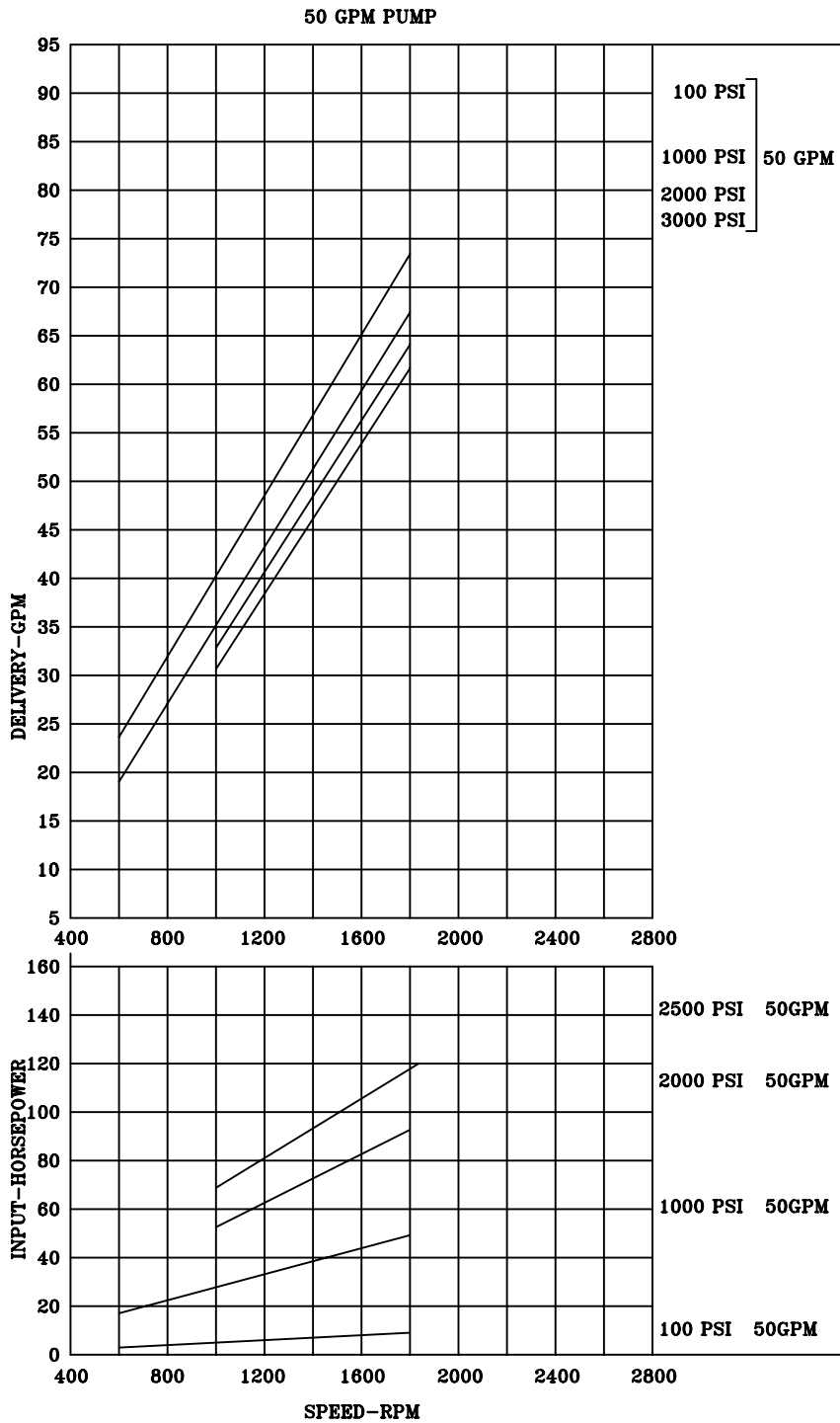
Performance Consistants  
SAE 10W Fluid at 120°F.  
Pump Inlet at 0" Hg.



## PERFORMANCE CURVES

Ring Size - 50 GPM  
 45V \*\*Double Pump - Shaft End

Performance Constants  
 SAE 10W Fluid at 120°F.  
 Pump Inlet at 0" Hg.

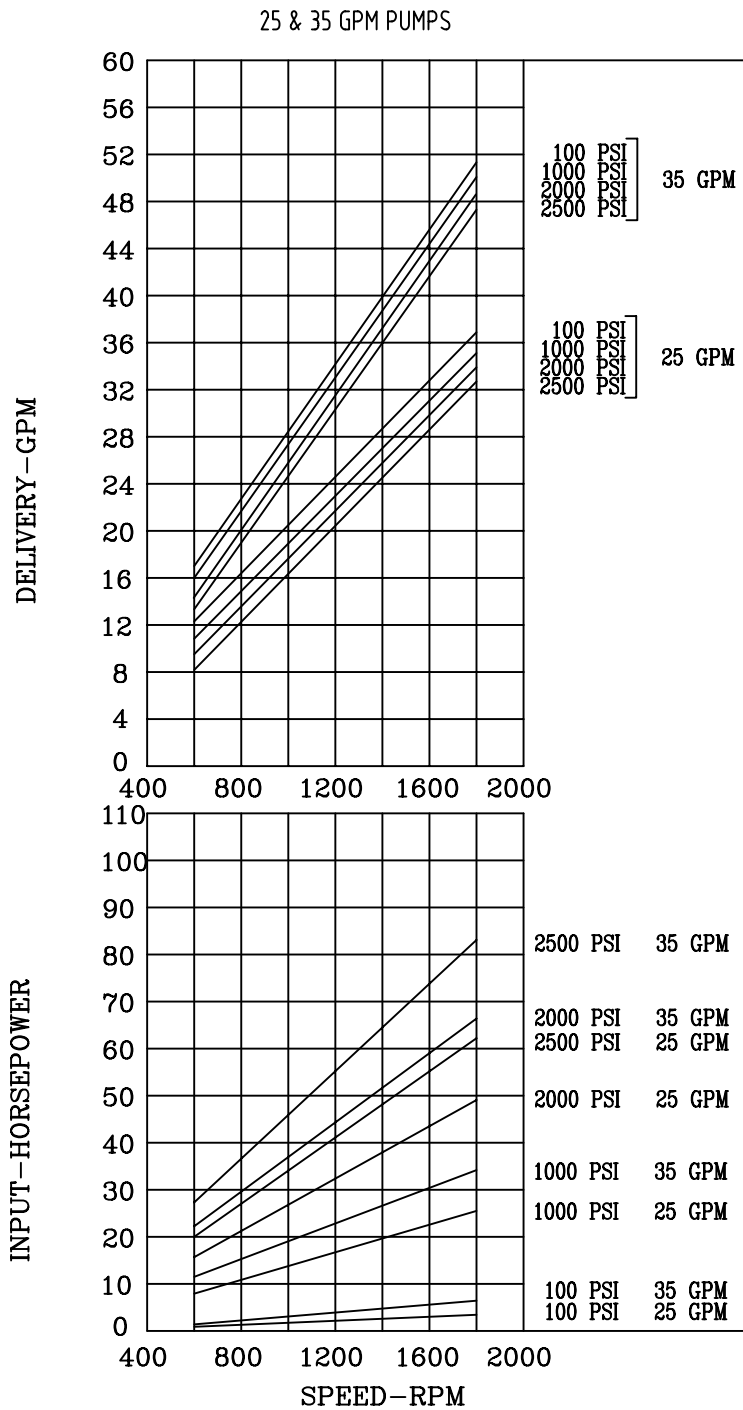


### PERFORMANCE CURVES

Ring Size 25 & 35 GPM

**\*\* 35V Double Pump - Cover End**

Performance Constants  
 SAE 10W Fluid at 120°F.  
 Pump Inlet at 0" hg.

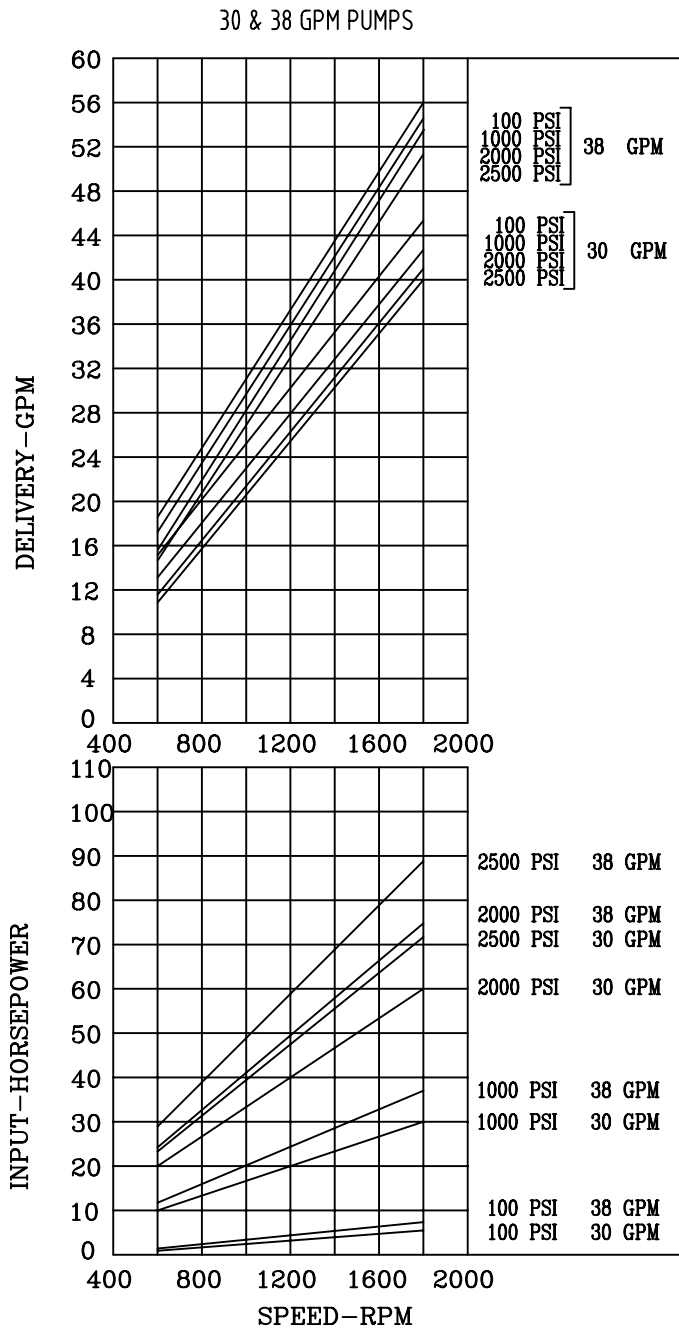


**PERFORMANCE CURVES**

Ring Size 30 & 38 GPM

**\*\* 35V Double Pump - Cover End**

Performance Consistants  
SAE 10W Fluid at 120°F.  
Pump Inlet at 0" Hg.

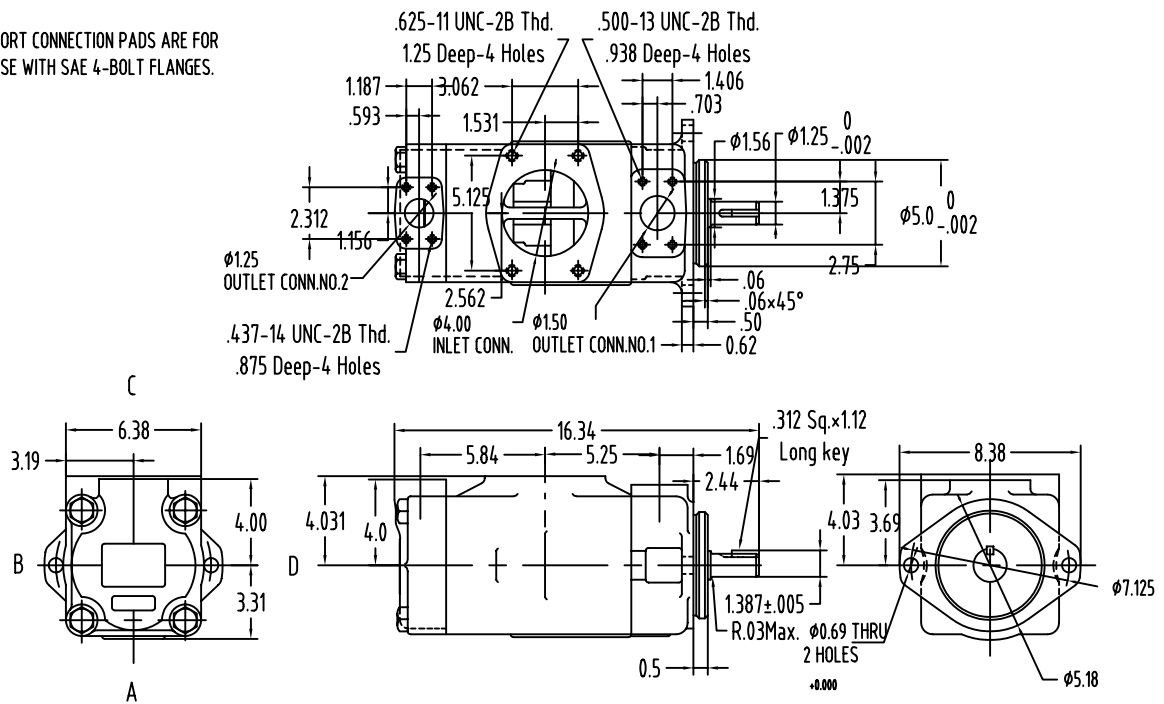


## INSTALLATION DIMENSIONS

### 4535V Double Pump

Dimensions in inches

PORT CONNECTION PADS ARE FOR USE WITH SAE 4-BOLT FLANGES.



| Code | Shaft Type           |
|------|----------------------|
| 1    | 3/16 straight Key    |
| 11   | 14T 12/24 Spline Key |
| 86   | HD Straight Key      |

NO.11 SHAFT  
INVOLUTE SPLINE  
12/24 DIAMETRAL PITCH  
FLAT ROOT MAJOR DIA.FIT  
14 TEETH-30°PRESSURE ANGLE

**Code1 3/16 Straight Key**

**Code11 14T 12/24 Spline Key**

**Code86 HD straight Key**

Reference The above  
Installation Dimintions

